



Vortron Industrial Data Sheet

Centrifugal Blowers, Dryers, Aerators, Forced-Air Cleaners

Vortron's AIRPOWER® Series Of Industrial Blowers

X-40

Vortron's highest efficiency **AIRPOWER®** model for intermediate flow applications at moderate pressures (60-90 in-H₂O). At 79% peak efficiency, the X40 outclasses all others by a wide margin! The best choice where high duty or extended "on time" impresses the need for energy conservation. Applications include high-performance air knives, blow-off, or de-watering nozzles used in compact, high throughput process cleaners; air evacuation, aeration, fluidized beds; air or non-corrosive process gas.

MODEL DESIGNATION: X-40

DESCRIPTION: Single-stage centrifugal compressor, belt driven, permanently-lubed high-speed spindle.

DRIVE SYSTEM: Micro-groove multi-ribbed belt with dual-bearing backside automatic tensioner. Integral Fresh-Aire™ cooling system for belt, tensioner/idler, spindle assembly longevity.

SPINDLE ASSEMBLY: ABEC 9 precision bearings, permanently lubricated.

SEALS: *Standard:* High Performance PTFE Lip
High-Speed: (1) Controlled-Gap Labyrinth Seal.

MATERIALS of CONSTRUCTION:

Housing, Volute, Mounting Plate: A356-T6 Aluminum
Impeller: Investment Cast Aluminum
Shaft: *Standard:* Alloy Steel, Heat-treated
Optional: Stainless Steel
Main Drive Pulley: A356-T6, Hard Anodized
Compressor Pulleys: Stainless Steel
Cover: High-Impact Cross-Linked PE

OPERATING SPEED: 16,000 to 28,400 RPM

PERFORMANCE: See Compressor Map For Actual Performance At Specific Operating Point:

Max. Flow (SCFM): 1000
Max. Pressure (in-H₂O): 140
Peak Isentropic Effy (%): 79
Ratings: To 20 HP

PEAK TEMPERATURE:

Inlet (°F): To 130°; max. not to exceed 200° at discharge

Discharge (°F): To 200°

LAYOUT: NEMA C-Face Mount (180 - 256 Series Frame)
Vertical or Horizontal Orientation

Connections (Tubular O.D.):

Inlet: 5.0 in.
Discharge: 3.5 in.; Full 360° Discharge Orientation
Rotation: Clockwise (as viewed from inlet)
Dimensions: Refer to installation drawing

SYSTEM OPTIONS:

Suction Filters: (1) High-Performance washable element or HEPA.
(2) Integrated filter/silencer.

Mounts: (1) Rigid steel rails.
(2) Compliant vibration isolation mounts.

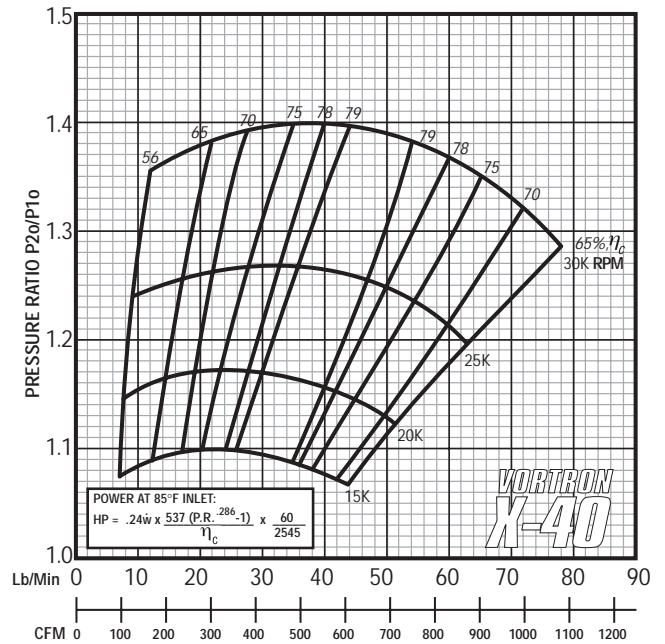
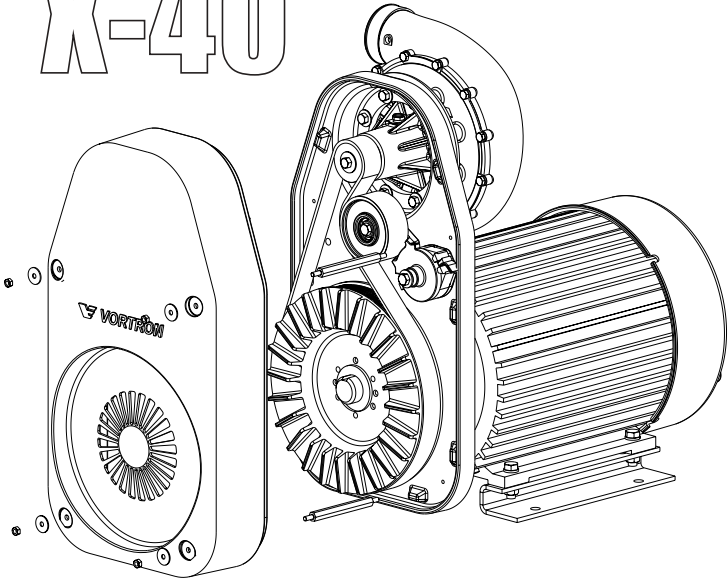
Motors: Inverter duty, premium efficient, washdown, explosion proof



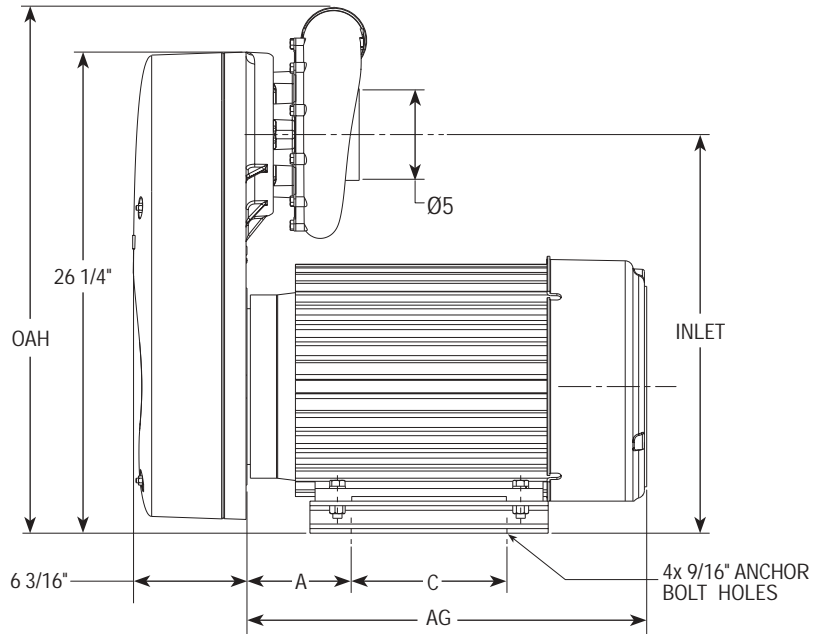
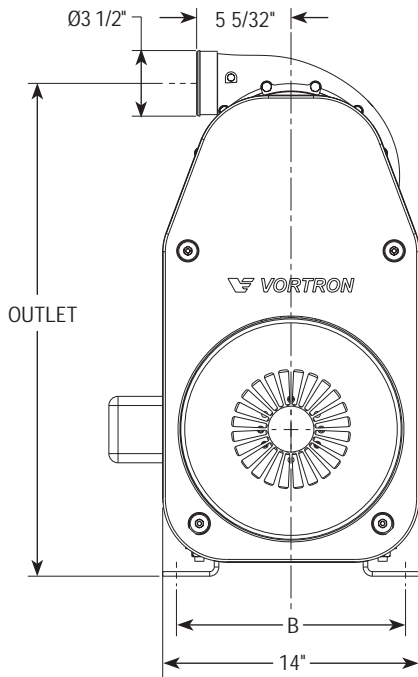
IMPELLER:
Optimized inducer blading with splitter, back-swept discharge

Vortron's AIRPOWER® Series Of Industrial Blowers

X-40



MOTOR SERIES	STANDARD MOUNTS			ISOLATION MOUNTS			AG	A	B	C	Wt(lbs)
	OAH	INLET	OUTLET	OAH	INLET	OUTLET					
182TC, 182TCH	28-3/4	21-3/4	26-7/8	28-3/4	21-3/4	26-7/8	13-1/2	3	10	8-1/2	123
184TC, B184TC, 184TCH, B184TCH	28-3/4	21-3/4	26-7/8	28-3/4	21-3/4	26-7/8	13-1/2	3-1/2	10	8-1/2	140
213TC	28-3/4	21-3/4	26-7/8	28-3/4	21-3/4	26-7/8	15-1/2	3-1/2	11	8-1/2	170
215TC	28-3/4	21-3/4	26-7/8	28-3/4	21-3/4	26-7/8	17	4-1/4	11	8-1/2	180
254TC	28-3/4	21-3/4	26-7/8	29-1/4	22-5/16	27-3/8	20-1/8	4-7/8	12-1/2	8-1/2	280
256TC, B256TC	28-3/4	21-3/4	26 7/8	29-1/4	22-5/16	27-3/8	21-7/8	5-3/4	12-1/2	8-1/2	300



Vortron Industrial - 1650 Pacific Avenue, Channel Islands, CA 93033-9901 • Tel: 805 240-2516 - Fax: 805 487-5468
vortron.com